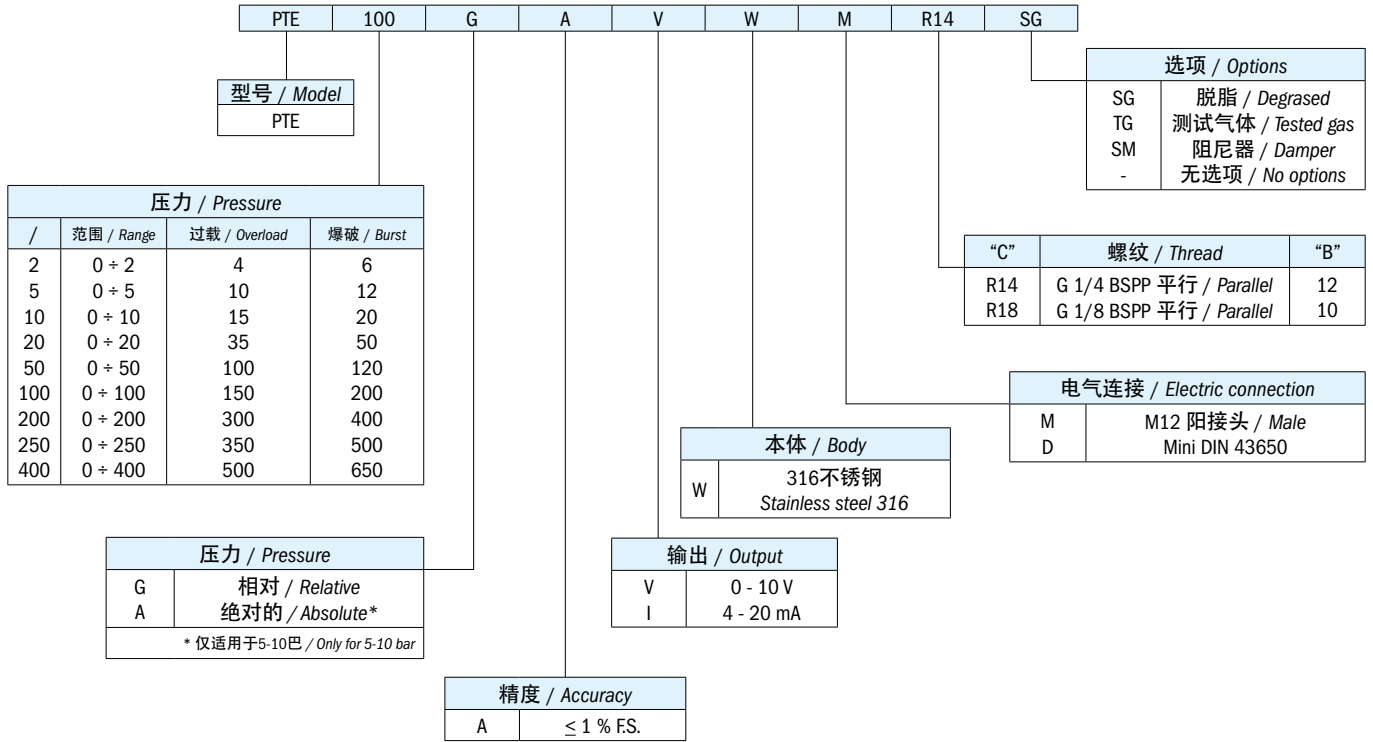


电源电压	24 Vdc; (10÷35 Vdc, 电流 ≤ 30 mA 输出电流); (12÷35 Vdc 电流 ≤ 8 mA 输出电压)	Supply voltage	24 Vdc; (10÷35 Vdc, I ≤ 30 mA output I); (12÷35 Vdc I ≤ 8 mA output V)
电流信号输出	4-20 mA (2引脚); 电流限制: 30 mA	Output signal current	4-20 mA (2pins); current limitation: 30 mA
电压信号输出	0÷10 V (3引脚); 最小负载 3 KΩ	Output signal voltage	0÷10 V (3pins); min. load 3 KΩ
接线保护	防止电源反极性和输出信号电源短路	Wiring protection	Against reverse polarity on power supply and short-circuit on output signal
响应时间	≤ 5 ms	Response time	≤ 5 ms
技术	压阻式	Technology	Piezoresistive
稳定性	≤ ±0.3% F.S./年 @ 25°C	Stability	≤ ±0.3% F.S./year @ 25°C
精度	≤ 1% F.S. @ 25°C	Accuracy	≤ 1% F.S. @ 25°C
线性/滞后性/重复性	≤ ±0.4% F.S.	Linearity/Hysteresis/Repeatability	≤ ±0.4% F.S.
工作温度	-25°C...+100°C	Environment temperature	-25°C to 100°C
流体温度	-25°C...+125°C	Fluid temperature	-25°C to 125°C
储存温度	-40°C...+135°C	Storage temperature	-40°C to 135°C
接液部件材料	本体: AISI 316 不锈钢 密封件: 聚氨酯、NBR	Wetted parts material	Body: AISI 316 stainless steel Seals: polyurethane, NBR
传感器材料	陶瓷氧化铝 96%	Sensor material	Ceramic Al <sub>2</sub> O <sub>3</sub> 96%
流体相容性	油、水、水-乙二醇和其他流体 请联系我们的技术部门	Fluid compatibility	Oil, water, water-glycol, and other fluids please contact our technical office
拧紧扭矩	20 Nm	Tightening torque	20 Nm
电气连接和防护等级 (EN 60529)	M12 1x4 引脚阳螺纹接头 - IP67 Mini-DIN 43650 连接器 - IP65	Electrical connection and protection degree (EN 60529)	M12 1x4 pins male connector - IP67 Mini-DIN 43650 connector - IP65
电磁兼容性 (EMC)	2014/30/UE 指令和 EN 61326-1 (2013) 标准	Electromagnetic comp. (EMC)	2014/30/UE Directive and EN 61326-1 (2013) standard
符合RoHs标准	2011/65/EU (ROHs) 和 2012/19/EU 指令 (WEEE)	RoHs conformity	2011/65/EU (ROHs) and 2012/19/EU Directives (WEEE)

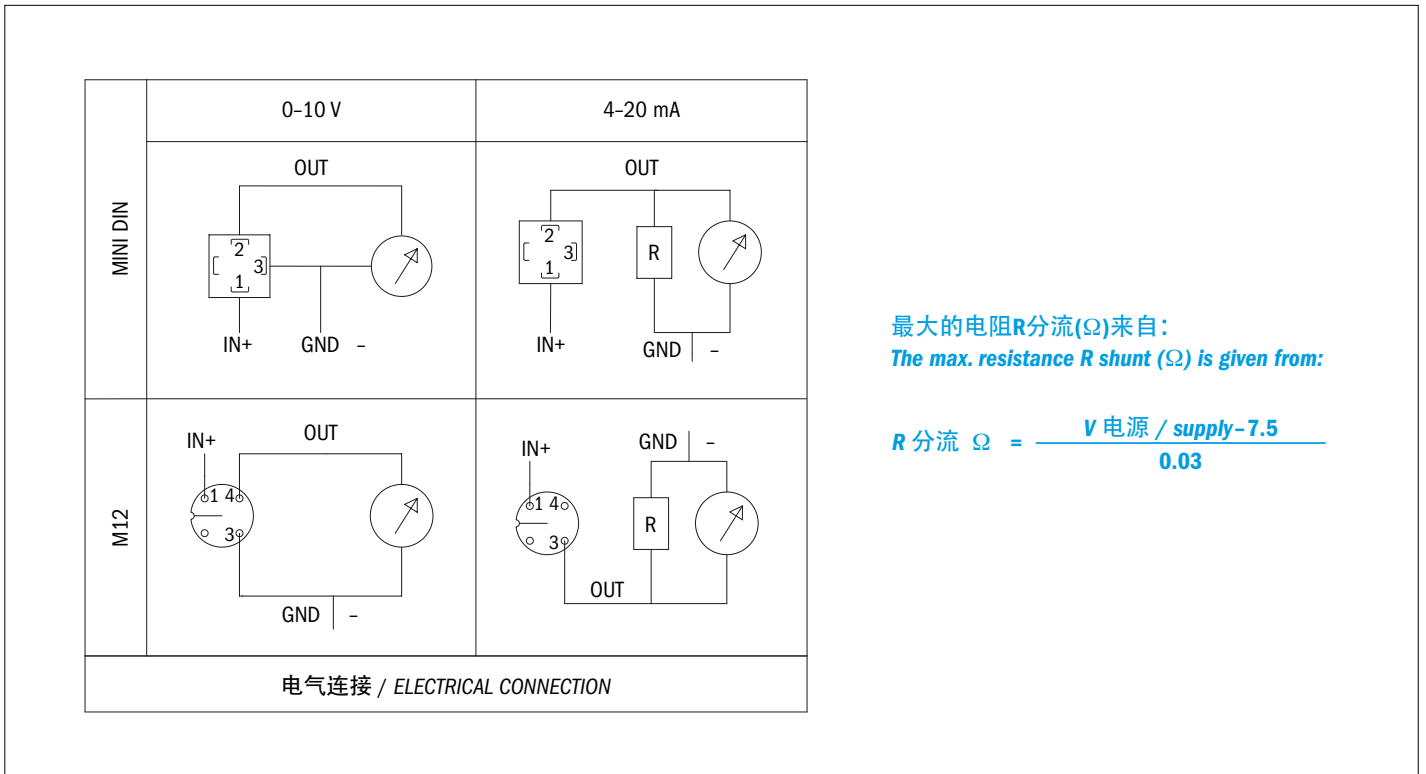
### 安装和调试 / Installation and commissioning

1. 安装: PTE传感器必须尽可能地靠近被测量的压力点安装, 注意流体流向不湍急。
2. 调试: 根据电气连接图进行接线。在连接和断开传感器连接器之前, 请断开电源。
3. 处置: 产品必须按照2011/65/EU (ROHs) 和2012/19/EU (WEEE) 指令, 作为电气/电子废物单独处置。

如何订购 / HOW TO ORDER



电气连接 / ELECTRICAL CONNECTIONS



Elettrotec保留未经事先通知更改产品技术数据或暂停生产的权利。该压力控制器触点受到强烈冲击或震动时可能会被损坏。用户有责任对我们的产品是否适合特定应用进行测试，例如，材料的兼容性测试。仅在现场试验中得到证实的使用才是适当的。该样本中的技术信息基于产品开发过程中的测试和经验值的积累，他们可能并不适用于所有情况。

Elettrotec reserves the right to technical data of change to the products or halt production without prior notice. The pressure controller contacts can be damaged when subject to strong shocks or high vibration. It is the responsibility of the user to test the suitability of our products for the particular application, for example, the verification of material compatibility. The use may only be appropriate if proven in field tests. The technical information in this catalogue are based on tests made during product development and based on empirically gathered values. They may not be applicable in all cases.